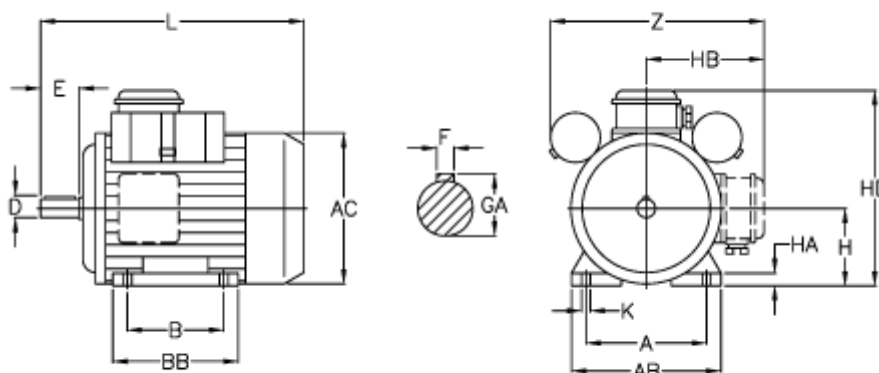


Article number: 25012462002

Description: ICME Single-phase motor MD63 A4 0,12KW
4 - 1400 rpm 1x230 Volt 50Hz B3 with starting & running capacitor

Measures



| | |
|-----------|---------|
| A = 100 | H = 63 |
| AB = 126 | HA = 10 |
| AC = 124 | HB = 98 |
| B = 80 | K = 7 |
| D = 11 | L = 241 |
| E = 23 | Z = 170 |
| F = 4 | |
| GA = 12.5 | |